



IndiGo

Handheld modular spectrometer

About Goyalab

Goyalab is a French start-up that designs, develops and markets measurement tools based on spectrometry. Moreover, it provides expertise in Research and Development, serving the industry in the development of specific applications in spectrometry.

Goyalab's philosophy is to develop powerful spectrometry tools that are easy to use, mobile and affordable thanks to new communication technologies (smartphones, tablets).

Goyalab wants to democratize spectrometry and make it accessible to all.

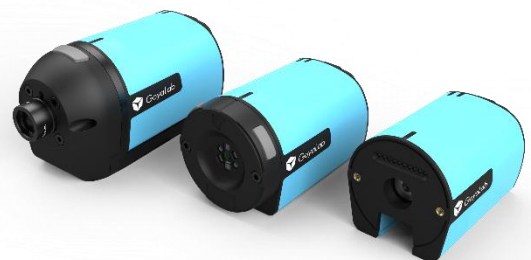


With IndiGo, the power of spectroscopy is at your fingertips

IndiGo is a modular handheld spectrometer connected to a smartphone by Bluetooth. This new spectrometer allows the user to measure emission, absorption or transmission spectra directly on a smartphone. The wavelength range goes from 380 nm up to 780 nm with a typical resolution below 1.5 nm. IndiGo is compatible with all smartphones with a Bluetooth 5.0 connection.

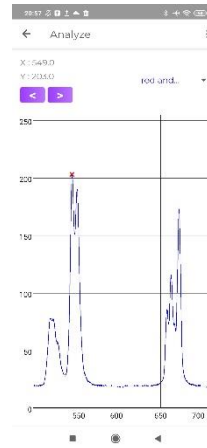
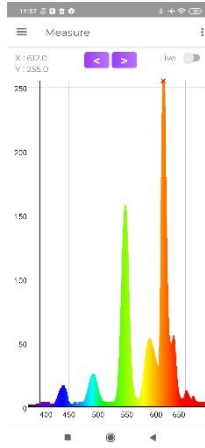
Thanks to its dedicated app available on Android 7.0 (soon on iOS), it allows the user to make measurements anywhere, anytime, at a reasonable cost.

With its optional modules, IndiGo can become a fluorescence spectrometer or a chemical analyser that fits in your pocket.



Features

- > Modular spectrometer
- > Bluetooth connectivity
- > Battery or mains powered
- > CE & TELEC certifications (FCC on-going)
- > Plug-n-Play Interface for PC applications
- > Available on Android (soon on iOS)



Optional modules

OPTICAL FIBER ADAPTOR

The module allows the user to adapt an optical fiber with a SMA connector, in order to make the measurement less sensitive to alignment and to make it more flexible.



LED EXCITATION MODULE

The LED module allows the user to add a light source to the IndiGo. This LED module is supplied in standard with 6 UV-A LEDs at 365nm. It can contain up to 2 different light sources that can be fully customised in function of the needs.

This module is very useful for measuring fluorescence spectra in various products such as food products, fluorescent inks or taggants, or various impurities, even at trace level.

LASER MODULE

This module includes a laser excitation source at 532nm (other wavelengths available upon request) and a set of filters to perform laser-induced fluorescence measurements or Raman measurements.

This module is very useful for measuring fluorescence spectra in various products such as food products, or various impurities, even at trace level and for the diamonds identification.



CUVETTE HOLDER MODULE

This module allows the user to measure spectra in liquids thanks to its cuvette holder. This module offers 2 types of lighting: a white LED for absorption and UV- A LEDs for fluorescence.

This module is very useful for chemical analyses, OD measurements...



Specifications

<i>PHYSICAL</i>	
Dimension	76 x 45 x 53 mm
Weight	107g

<i>SPECTROMETER</i>	
Sensor	1,3MP monochrome CMOS Dim: 1280x 1024 – pixel size: 5,4µm
Wavelength Range	380 - 780 nm
Spectral Resolution	<1.5nm (FWHM)
Slit (W x H)	25 µm x 3 mm
Grating	600 Lines/mm, 500 nm Blaze
Integration Time Range	1ms - 24s (multi cycles acquisition available)

SYSTEME CONFIGURATIONS

Battery	Li- polymer – 1000mAh 10h in operation & 24h in standby mode
Data Format	.txt – CVS-SPC
Power	5V - 750mA

ENVIRONMENTAL CONDITIONS

Temperature	0°C - 30°C operation & -10°C - 40°C Stockage
Humidity	0% - 90% noncondensing

INTERFACES

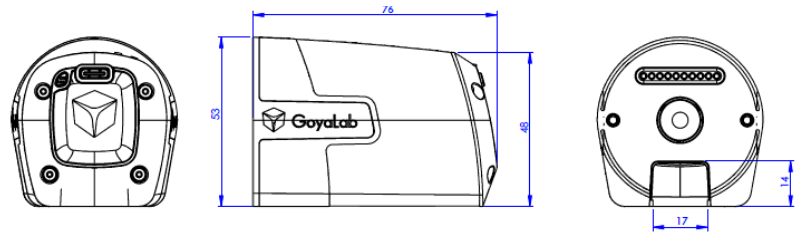
Bluetooth	5.0 Bluetooth Low Energy
USB	USB-C
Software	SpectroLab software (including Python interface) SpectroLab Expert (GoyaLab Chemiometric software) Files compatible with KnowItAll, CrystalSleuth

CALIBRATION

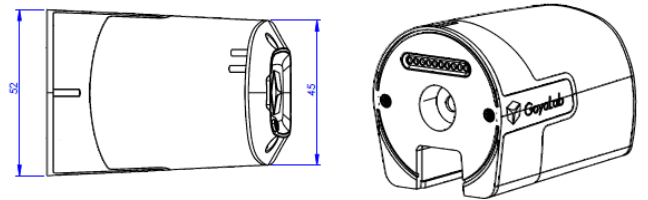
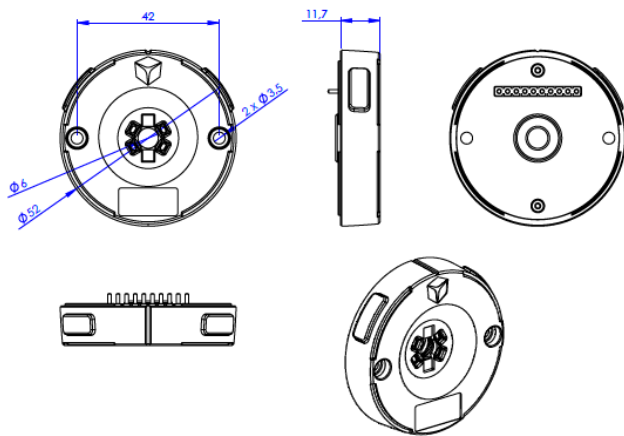
Wavelength	Made in factory with Hg / Ar low pressure lamp + Ne light
Intensity	Available in option

► Dimensions

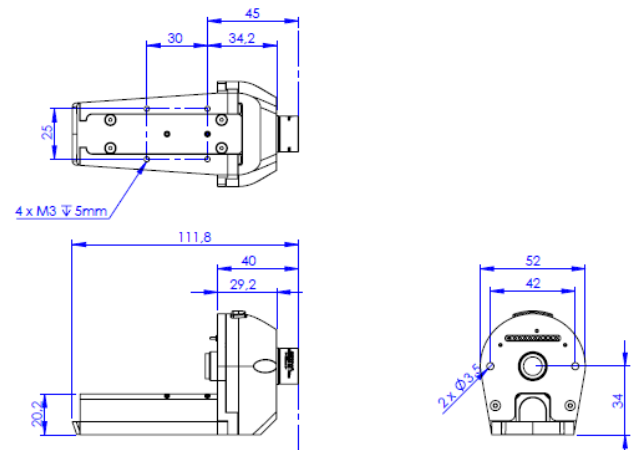
Core module



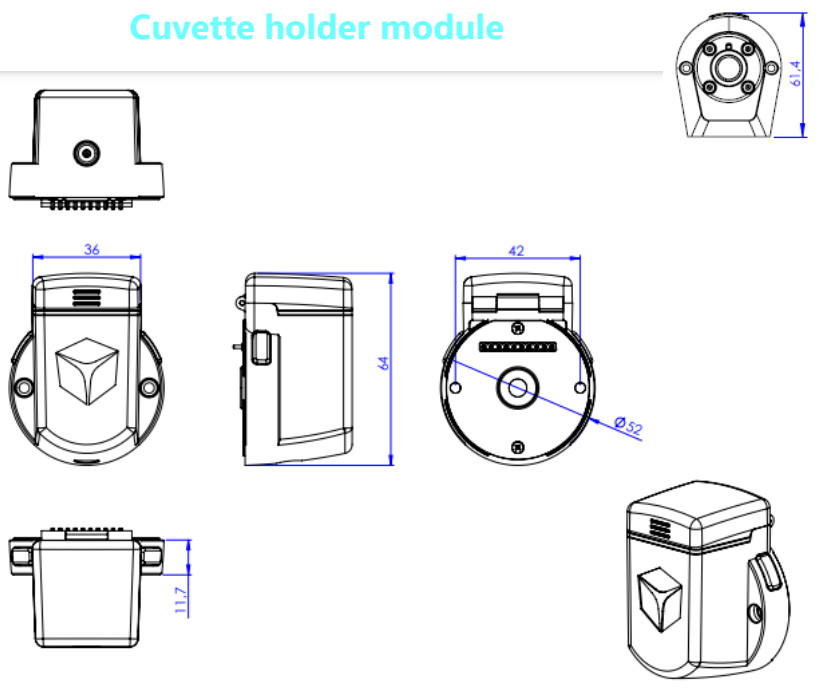
UV module



Laser module



Cuvette holder module



Optical fiber adapter

