

Fiber Tunable Directional Coupler

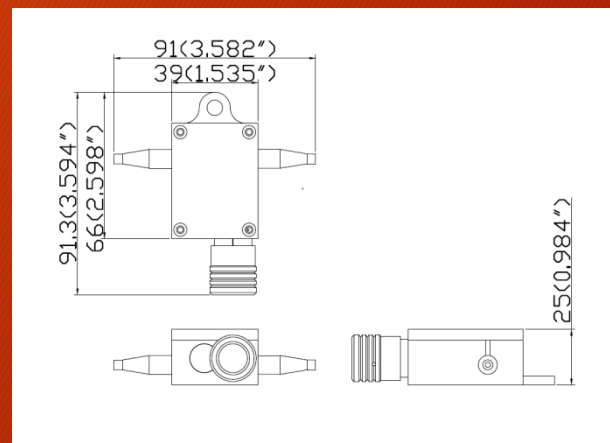
Compact polished directional coupler with tunable coupling ratio

Features

- Negligible loss
- Polished fiber coupler
- Tunable coupling ratio (0-100 %)
- Available with various fiber types including SMF and PMF
- Available at customer specified wavelength
- Very small size

Applications

- Optical system testing
- Interferometry
- General laboratory experiments
- Optics education kits



Fiber Tunable Directional Coupler

Specifications

Insertion loss (dB)	< 0.1 (bare type) < 0.5 (adapter type)
Tuning range of coupling (%)	0 - 100
Operation wavelength (nm)	Can be specified by customer (633, 830, 980, 1064, 1550)
Polarization Extinction Ratio (dB)	> 20 (PM only)

Ordering Code

