



CNC Centering Machine

FEATURES:

- Fast and easy input program to maximize operator convenience
- Can be equipped with Optional AutoLoader system
- Workpiece capacity:
 - 3mm – 200mm in Manual loading mode
 - 6mm – 152mm with AutoLoader system
- Diamond spindle servo motor drive is connected directly, without use of drive belt. Smooth motor drive reduces noise and vibration
- The Servo system provides high accuracy and control to precision of 0.001 mm
- Real time monitoring is possible, so it is easy to control high quality of the workpieces



Manufacturer:

SIDAI Precision Industrial Co., LTD., Korea

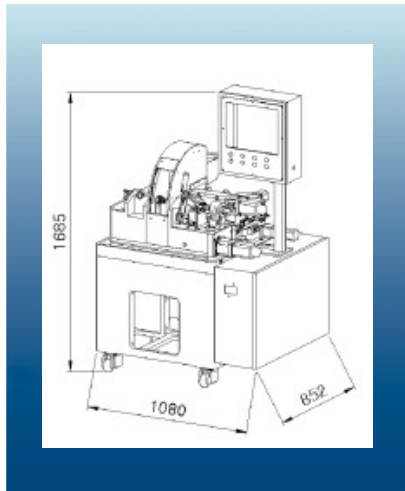
Sales Agent:



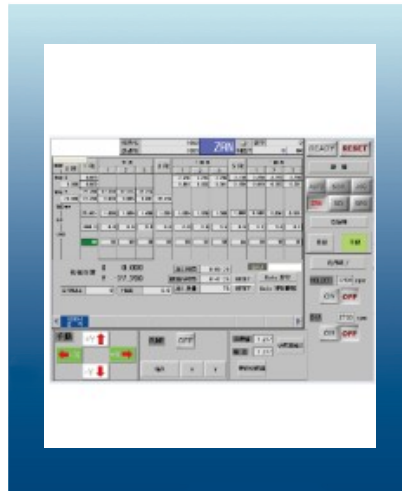
1388 Crittenden Road
Rochester, NY 14623-2308 USA
Phone: 585.473.6540 Fax: 585.475.1971
mildex@eznet.net www.mildex.com

#SIDAI_SPCM-M2-NC4_r1

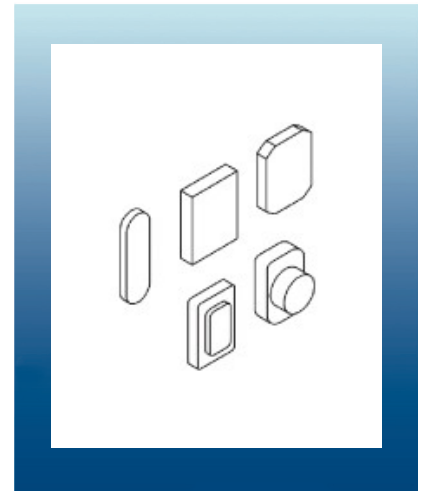
CNC Centering Machine



LAYOUT



EASY INPUT PROGRAMMING

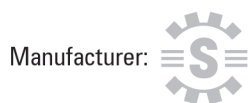


OPTION

Machine Specifications:

Work Time	1 Cycle 10-1,200 sec
Processing Time	10-1,200 sec (20 min)
Chuck Attachment (Machine Eccentricity)	Ø2-Ø200mm (0.003mm)
Spindle Feed	0-10mm
Chuck Spindle Speed (Holding)	0-1,800 RPM
Diamond Spindle Feed	0-15 mm
Diamond Wheel Size	Ø160 mm
RPM of Diamond Wheel	0-4,000 RPM
Power Supply	220V, 3-phase, 50/60 Hz
Power Required	2.7kW
Air Pressure	0.4 Mpa or 4.0kg/cm ²
Overall Dimension (L x D x H)	1060 x 852 x 1,685 (mm)
Net Weights	700 kgs

*The specifications subject to change without notice



Manufacturer:

SIDAI Precision Industrial Co., LTD., Korea

Sales Agent:



1388 Crittenden Road
Rochester, NY 14623-2308 USA
Phone: 585.473.6540 Fax: 585.475.1971
mildex@eznet.net www.mildex.com

#SIDAI_SPCM-M2-NC4_r1